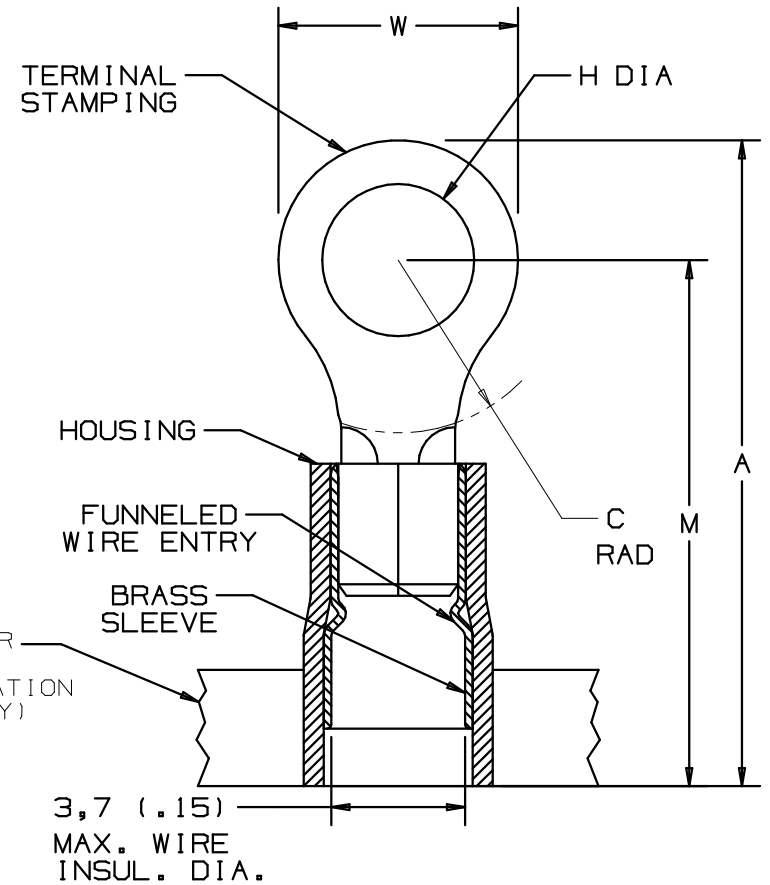


PART NUMBER	STUD SIZE	WIRE RANGE mm ² (AWG)	DIMENSIONS mm				
			A ± .080 (.03)	W ± .25 (.01)	C ± .38 (.01)	M ± .50 (.02)	H ± .50 (.02)
PMNF 1-3R-3K	M3	0,5-1,5 (22-18)	19,3 (.76)	5,8 (.23)	5,2 (.20)	16,8 (.66)	3,3 (.13)
PMNF 1-35R-3K	M3,5	0,5-1,5 (22-18)	19,3 (.76)	5,8 (.23)	5,2 (.20)	16,8 (.66)	3,8 (.15)
PMNF 1-4R-3K	M4	0,5-1,5 (22-18)	21,9 (.86)	7,9 (.31)	6,4 (.25)	17,9 (.71)	4,6 (.18)
PMNF 1-5R-3K	M5	0,5-1,5 (22-18)	22,4 (.88)	8,9 (.35)	6,4 (.25)	17,9 (.71)	5,3 (.21)
PMNF 1-6R-3K	M6	0,5-1,5 (22-18)	26,7 (1.05)	10,9 (.43)	9,7 (.38)	21,3 (.84)	6,9 (.27)

NOTES:

- USED FOR:
 - 600V MAX. BUILDING WIRE
1000V MAX. IN SIGNS, FIXTURES, AND LUMINAIRES
 - 105°C (221°F) MAX. TEMP. RATING OF INSUL. MAT'L.
 - SOLID OR STRANDED COPPER WIRE
- PACKAGE QTY:
3K = 3000 PCS. ON CONTINUOUSLY MOLDED CARRIER STRIP
- MATERIAL:
 - STAMPING: .81 (.03)THK. COPPER, TIN PLATED
 - SLEEVE: BRASS, TIN PLATED
 - HOUSING: TYPE 6/6 NYLON, RED
- WIRE STRIP LENGTH: $6,4^{+,8}_{-0}$ ($1/4^{+1/32}_{-0}$)
- DIMENSIONS IN BRACKETS ARE IN INCHES OR AWG
- UL LISTED AND CSA CERTIFIED WITH COPPER 22-18AWG WIRE ONLY



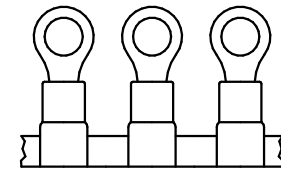
		PANDUIT PRESS					
		CP-851 <i>DISCONTINUED</i>	CP-860 <i>DISCONTINUED</i>	CP-861	CP-862	CP-871 60HZ	CP-871/E 50HZ
APPLICATORS	CA-800		X	X			
	CA-800EZ	X				X	X
	CA9				X	X	X



LISTED
587H
E52164



CERTIFIED
LR31212



A41601_01

PANDUIT CORP.

TINLEY PARK, ILLINOIS

01	3/06	DAW	DAW	ADDED PMNF1-35R-3K, ADDED PANDUIT PRESS AND APPLICATOR CHART	TRO0083						
00	9/97	TM		RELEASED							
REV	DATE	BY	CHK	DESCRIPTION	ECN #	CUST	PM	DRAWN BY T SMA	CHK'D	SCALE NONE	DRAWING NO. A41601

0,5-1,5 mm² METRIC CONTINUOUSLY MOLDED, NYLON INSULATED, FUNNEL ENTRY RING TERMINAL